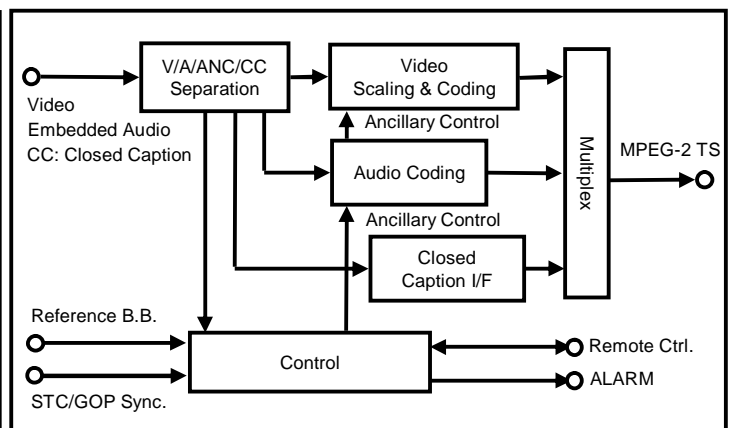


# VC-7030

## One Segment Broadcasting Encoder

The VC-7030 is ideal for ISDB-Tb mobile TV service, One-seg. Encoding is compliant with H.264/MPEG-4 AVC for video and HE-AAC v2 for audio. With NEC outstanding specified-color-adaptive coding algorithm, the VC-7030 carries high quality pictures with low deterioration.



## Features

### Video Encoding

- Video Compression Format : H.264/MPEG-4 AVC coding standard up to Baseline Profile Level 1.3.
- The specified-color-adaptive coding algorithm.

### Audio Encoding

- Audio Compression Format : MPEG-2/MPEG-4 AAC LC Profile, and HE-AAC coding standards.

### Digital Closed Caption Data Packetization

- The closed caption data which is embedded in input video signal (compliant with ARIB STD-37) can output with TS closed caption packet.

### Ancillary Control

- Real time aspect ratio switching and audio mode switching can be controlled by the inter-stationary control signal (compliant with ARIB STD B-39).

### Dual-redundant power supply support

- It supports dual-redundant power supply units with a high reliability.

# VC-7030 Encoder of One segment broadcasting

## Specification

Input signal Output signal	<p>(1) Input Signal</p> <ul style="list-style-type: none"> <li>• 1080i serial digital component video Standard: SMPTE-274M, I/F: SMPTE-292M, Frame freq.: 29.97Hz, Interlace ratio: 2:1</li> <li>• 480i serial digital component video Standard: ITU-R BT.601, I/F: SMPTE-259M, Frame freq.: 29.97Hz, Interlace ratio: 2:1</li> <li>• Audio format Embedded Audio (8ch)</li> <li>• Closed caption Standard: ARIB STD B-37</li> </ul> <p>(2) Output Signal</p> <ul style="list-style-type: none"> <li>• MPEG-2 TS (Transport Stream) I/F: DVB-ASI Format: (204,188) or (188), Mode: byte or packet mode</li> </ul>
Video Encoding	<ul style="list-style-type: none"> <li>• Coding scheme ITU-T Rec.H.264 ISO/IEC14496-10 Baseline@Level 1.3</li> <li>• Number of coding pixels (Horizontal pixels x Vertical lines) 320x180 (QVGA,16:9) 320x240(QVGA,4:3)</li> <li>• Video ES bit rate range 64 – 384kbps</li> </ul>
Audio Encoding	<ul style="list-style-type: none"> <li>• Coding scheme MPEG-2 AAC LC-profile, HE-AACv1 MPEG-4 AAC LC-profile, HE-AACv1, v2</li> <li>• Audio mode 1/0, 1/0 + 1/0, 2/0</li> <li>• Streaming Format LATM/LOAS and ADTS</li> </ul>
Control	Inter-stationary control signal (ARIB STD B-39 compliant), Ethernet
Synchronization	<ul style="list-style-type: none"> <li>• STC/GOP synchronization signal ISO/IEC13818-1, DVB-ASI</li> <li>• Reference signal RS-170A-compliant analog black burst signal</li> </ul>
Operation Temperature	0 °C to 40°C
Power Supply	85 to 264VAC 50/60Hz Single phase
Power Consumption	75VA or less
Dimensions	44 (H) × 480(W) × 500 (D) mm
Weight	8kg or less

ISO 9000 Series



ISO 9001 JMI-0119  
NEC Broadcast and Video

ISO 14001



JQA-E-90066  
NEC



### Safety precautions

To install, make connections and operate this product, please carefully read and observe instructions, precautions and recommendations in our instruction manuals.

- The colours in this brochure may differ from those of the actual unit. Designs and specifications of this product is subject to change without prior notice.

**NEC Corporation**  
Americas and EMEA Sales Division  
Greater China and Asia Pacific Sales Division  
Broadcast and Video Systems  
7-1, Shiba 5-chome, Minato-ku, Tokyo,  
108-8001, Japan  
Tel: +81-3-3798-5463  
Fax: +81-3-3798-8476

**NEC Europe Ltd.**  
Network Solutions Division  
NEC House, 1 Victoria Road, London  
W3 6BL, United Kingdom  
Tel: +44-(0)20-8993-8111  
Fax: +44-(0)20-8752-3735

**NEC Asia Pacific Pte. Ltd.**  
No.1 Maritime Square  
#12-10 HarbourFront Center  
Singapore 099253  
Tel: +65-6278-1818  
Fax: +65-6271-2088

**NEC Latin America S.A.**  
Av. Paulista, 2.300  
01310-300 Sao Paulo, SP  
Tel: +55-(0)11-3151-7000  
Fax: +55-(0)11-3151-7218