

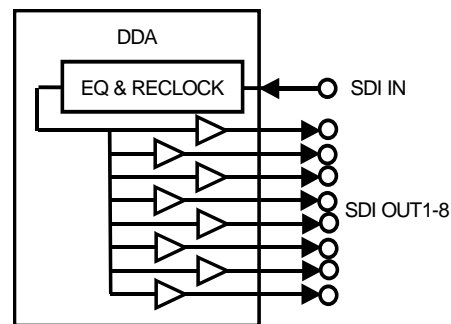
DDA800 Series

3G/HD/SD-compatible Front Access Distribution/Transmission Board

DDA800 series are high-density and space-saving, 2RU high integrated signal processing platform digital video/audio distribution amplifiers. The full-range of 3G/HD/SD-SDI format, mountable in MF820, is supported. The distinct family members, DDA800-OTX and DDA800-ORX, with optical interface are designed to broadly meet the customers' demands enabling long-distance transmission between studios or remote sites.



MF820 frame (2RU)



DDA800 board (8 distribution)

Features

3G-SDI-compliant SDI distributor

- DDA compliant with 3G-SDI.
- 10 boards can be mounted in the 2RU chassis. (MF820 frame / power supply redundancy.)

Multi-format SDI distribution

- Automatically detects 3G-SDI, HD-SDI and SD-SDI input.
- All the output terminals can be used for DVB-ASI signals.

Optical interface support

- DDA 800-OTX and DDA800-ORX supports optical input and optical output for transmission/distribution via optical fiber.

Alarm monitoring function

- Alarm monitoring by SNMP is available with CPU board. Only one CPU board is required with each frame.
- Alarm monitoring by GPI is available with each board without CPU board.

Enhanced maintainability by the front-access structure

- Easy to check operating boards or replace faulty boards or check operating boards.

Low power consumption

- Less than 100VA with full loaded boards for MF820 frame.

Functions

- **Distribution function:** Automatically detects 3G-SDI / HD-SDI / SD-SDI input and distributes to 8 outputs .
- **Auto Select function:** Automatically detects and re-clocks the transmission speed of input signal: 270Mb/s (D1-SDI or DVB-ASI) 1.485Gb/s (HD-SDI), or 2.970Gb/s (3G-SDI).
- **Cable compensation:** Automatically compensates the characteristics deterioration by the input coaxial cable to up to 70m (3Gbps) of 5C-FB cable.

Specifications DDA800 board

Input signals	Video input signals 1 line (BNC) SMPTE-425 (2.970, 2.970/1.001Gbps) SMPTE-292M (1.485, 1.485/1.001Gbps) SMPTE-259M, DVB-ASI (compliant with DVB DOCUMENT A010) (270 Mbps)
Output signal	Video output signals 1 line x 8 distributed outputs (BNC) SMPTE-425 (2.970, 2.970/1.001Gbps) SMPTE-292M (1.485, 1.485/1.001Gbps) SMPTE-259M, DVB-ASI (compliant with DVB DOCUMENT A010) (270 Mbps)
Operating temperature	0°C to 40°C

board lineup

Type #	Product name	Input/output specifications
DDA800	3G-compliant DDA	1 x electrical input; 8 x electrical output
DDA800-OTX	3G-compliant optical output DDA	1 x electrical input; 4 x electrical output; 1 x optical output
DDA800-ORX	3G-compliant optical input DDA	1 x optical input; 4 x electrical output
CPU800	MF820 shelf CPU	1 x 100BASE-TX (SNMP)

Configuration

- | | |
|--|---|
| ① DDA800 board | ② MF820 frame |
| • Rear connector panel x 1 (2 rows of BNC) | • CPU board x 1 (Used for monitoring SNMP) |
| • Front board x 1 | • Power supply board x 2 (main/standby configuration) |
| | • Frame x 1 |

MF820 frame

	MF820 frame (2RU)
Number of boards to mount	Max. 10 boards *1
Operating temperature	0°C to 40°C
Configuration	① Frame x 1 ② Power supply board x 1 *2
Measurements	88(H) x 480(W) x 500(D) mm
Power supply	① Power supply voltage: 85 to 264VAC (single phase) ② Frequency : 47 to 63Hz ③ Power consumption : 100VA (at max. load) *3

- *1 This indicates the maximum number of boards which can be installed to MF820 frame with 1 slot size card.
- *2 Redundant Power Supply system is available with two power supply units.
- *3 The power consumption value indicated is measured under maximum load. Actual power consumption varies depending on the type(s) and quantity of boards mounted in the frame.



Safety precautions

To install, make connections and operate this product, please carefully read and observe instructions, precautions and recommendations in our instruction manuals.

- The colours in this brochure may differ from those of the actual unit. Designs and specifications of this product is subject to change without prior notice.

For additional information:

Please contact your nearest NEC sales offices or visit www.nec.com.

NEC Corporation
Americas and EMEA Sales Division
Greater China and Asia Pacific Sales Division
Broadcast and Video Systems
7-1, Shiba 5-chome, Minato-ku, Tokyo,
108-8001, Japan
Tel: +81-3-3798-5463
Fax: +81-3-3798-8476

NEC Europe Ltd.
Network Solutions Division
NEC House, 1 Victoria Road, London
W3 6BL, United Kingdom
Tel: +44-(0)20-8993-8111
Fax: +44-(0)20-8752-3735

NEC Asia Pacific Pte. Ltd.
No.1 Maritime Square
#12-10 HarbourFront Center
Singapore 099253
Tel: +65-6278-1818
Fax: +65-6271-2088

NEC Latin America S.A.
Av. Paulista, 2.300
01310-300 Sao Paulo, SP
Tel: +55-(0)11-3151-7000
Fax: +55-(0)11-3151-7218