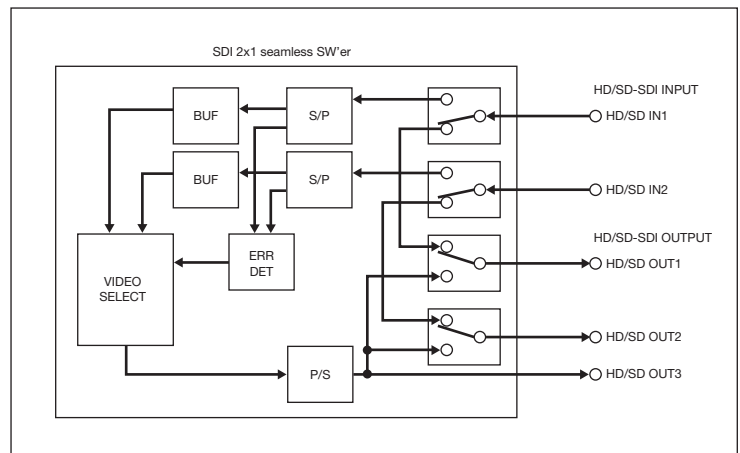
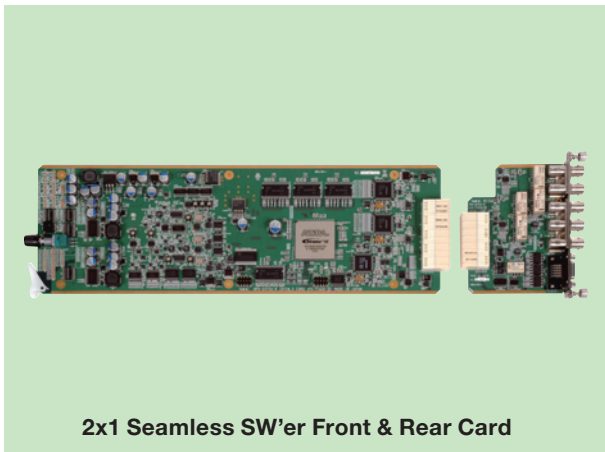


SSW700

SDI 2x1 Seamless Switcher

The 2x1 Seamless SW'er card for HD/D1 is designed for the MF-700/NOIF-3000 Frame (both 3RU and 1RU). It detects errors in the HDTV/SDTV signals based on the SMPTE292M and 259M-C standards and seamlessly switches between the current/backup circuits.



Features

SDI Signal Monitoring

The two channels of the SDI input signals are constantly monitored for errors.

Seamless Automatic Switching

When SDI signal error occurs, this card can automatically perform uninterrupted switching between the current/backup circuits. Manual switching is also possible. In addition, there are two error sensitivity levels (High Sensitive and Low Sensitive) that can be chosen from.

Automatic Delay Compensation

It is possible to absorb the difference in transmission delay between the current/backup circuits and re-align the video signal phase.

Emergency Bypass

Bypass between SDI input and output during power outage or by manual operation is possible.

Installable in MF-700/NOIF-3000 Common Frame

Up to 14 cards can be installed in each of the MF-700 and the NOIF-3000 Frame and it can co-exist with other converter units and E/O, O/E cards from the MF-700 Series.

Feature

Switching, Distribution

Takes SDTV SDI (SMPTE259M) or HDTV SDI (SMPTE292M) signals as inputs and after 2-to-1 seamless switching, signals are distributed as 3 outputs.

Error Detection

The two input channels are constantly monitored for errors. Channels can be switched automatically when either the 1Bit error (High Sensitive Mode) or TRS continuous detection (Low Sensitive Mode) error is detected.

Automatic Delay Compensation

The transmission delay time differences in the two input channels can be automatically corrected up to ± 1 field.

Specification

Input	① Video Input Signal SMPTE 292M(1080i) HDTV Serial Digital Interface signal, 75Ω unbalanced SMPTE 259M-C SDTV Serial Digital Interface signal, 75Ω unbalanced	2 Channels
Output	① Video Output Signal SMPTE 292M(1080i) HDTV Serial Digital Interface signal, 75Ω unbalanced SMPTE 259M-C SDTV Serial Digital Interface signal, 75Ω unbalanced	1 Channel, 2 Outputs
Control	CTRL Connector: D-SUB(15-pin) x 1 channel select input, channel select tally, alarm output, etc.	
Operation Temperature	0°C to 40°C	

Configuration

① SSW700 (per set)

Rear Card x 1
Front Card x 1 (Optional)

② MF730opt Multi-Functional Frame (Refer to Number of Mountable Cards below)

CPU Card (*) x 1 (Front Card x 1, Rear Card x 1)
Power Supply Unit x 2
Frame x 1

*1 ... Relay Contact type Alarm Card is also available.

*2 ... Two Power Supply units are required for power redundancy.

MF730opt Multi-Functional Frame

Number of mountable cards	Max. 14 card pairs *1
Operation Temperature	0°C to 40°C
Configuration	Frame x 1 Power Supply Unit x 1 *2
Power supply	85 to 264V AC (single phase), 47 to 63Hz
Power Consumption	350VA (with maximum load) *3
Dimensions	132 (H,3RU) x 480 (W) x 500 (D) mm

*1 The number of cards mountable indicates how many cards of the MF700 Series excluding power supply units and CPU cards can be mounted in the frame at maximum.

*2 Two Power Supply units are required for power redundancy.

*3 The power consumption value indicated is measured under maximum load. Actual power consumption varies depending on the type(s) and quantity of cards mounted in the frame.



Safety precautions

To install, make connections and operate this product, please carefully read and observe instructions, precautions and recommendations in our instruction manuals.

● The colours in this brochure may differ from those of the actual unit. Designs and specifications of this product is subject to change without prior notice.

NEC Corporation
International Sales Division
Broadcast and Video Systems
7-1, Shiba 5-chome, Minato-ku, Tokyo,
108-8001, Japan
Tel: +81-3-3798-5463
Fax: +81-3-3798-8476

NEC Europe Ltd.
Network Solutions Division
NEC House, 1 Victoria Road, London
W3 6BL, United Kingdom
Tel: +44-(0)20-8993-8111
Fax: +44-(0)20-8752-3735

NEC India Pvt. Limited
7th Floor, Ashoka Estate
24 Barakhamba Road,
New Delhi - 110 001
Tel: +91-(0)11-2331-3633
Fax: +91-(0)11-2332-4259

NEC de Colombia S.A.
Carrera 9 No. 80 - 32
Bogotá, D.C. - Colombia
Tel: +57-1-644-5600
Fax: +57-1-644-5648

ISO 9000 Series



ISO 9001 JMI-0119
NEC Broadcast and Video

ISO 14001



JQA-E-90066
NEC