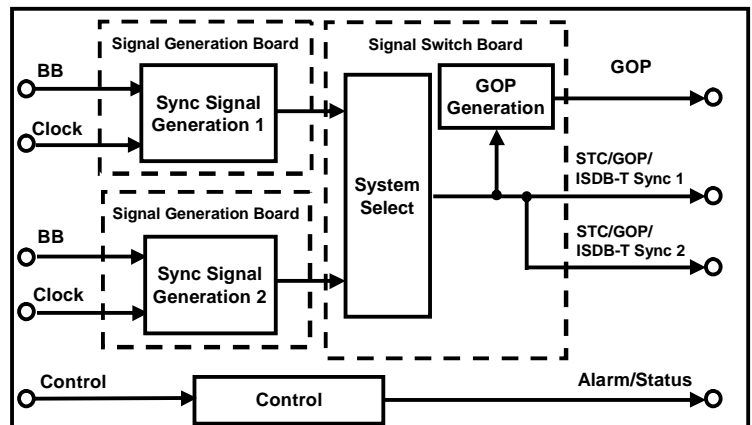


TS-G1631

ISDB-T Sync Signal Generator

For Terrestrial Digital Broadcasting

This unit generates STC sync, GOP sync and audio frame sync signals synchronized with the black burst signal. The unit also generates an ISDB-T frame sync signal synchronized with "ISDB-T system clock signal (8.127 MHz)" or "10 MHz clock signal." The generated sync signal is outputted through the DVB-ASI interface as "an STC/GOP/ISDB-T frame sync signal" compliant with MPEG2-TS.



Features

STC sync signal generation

The unit regenerates a 27 MHz clock synchronized with the black burst signal, and generates a STC sync signal to output it.

GOP sync signal generation

The unit generates and outputs a GOP sync signal from the horizontal and vertical sync signals of the black burst signal.

Audio frame sync signal generation

The unit generates an audio frame sync signal with a sampling frequency of 48 kHz by the 1280 field count-up counter which is controlled by the video vertical sync signal.

ISDB-T frame sync signal generation

The unit generates an ISDB-T frame sync signal from the MODE/GI information which is externally set.

MPEG2-TS output

The unit converts the generated STC, GOP, Audio Frame and ISDB-T Frame sync signals into TS packet format signal, and outputs it through the DVB-ASI interface.

Supports dual redundancy for PS and sync signal generation boards

The unit employs a dual-redundant configuration for the power supplies and sync signal generation boards.

TS-G1631 ISDB-T Sync Signal Generator For Terrestrial Digital Broadcasting

Specifications

Input signal	(1) Black burst signal RS170A	2 channels
	(2) ISDB-T system clock signal or 10 MHz clock signal 0.8 Vp-p/75 , Frequency accuracy: ± 0.1 ppm	2 channels
Output signal	(1) STC/GOP/ISDB-T frame sync signal MPEG2-TS, DVB-ASI	2 channels *1
	(2) GOP sync signal No-voltage contact	6 channels *2
Control signal	(1) STC, GOP and Audio Frame reset signals No-voltage contact	1 channel each
	(2) Mode and GI information setting signals No-voltage contact	1 channel each
	(3) TMCC and Mode/GI switch-trigger signals No-voltage contact	1 channel each
	(4) Input selection (System 1 or 2) signal No-voltage contact	1 channel
	(5) Automatic switching mode (ON/OFF) signal No-voltage contact	1 channel
	(6) Alarm signal Open collector	1 channel
	(7) Status signal No-voltage contact or open collector	1 channel
Operation temperature	0 °C to 40 °C	
Power supply	85 to 264 V AC, 50/60 Hz single phase	
Power consumption	70 VA or less	
External dimensions	44(H) × 480(W) × 525(D) mm	
Weight	9 kg or less	

*1 (1) Compliant with 188 byte format, packet mode.

*2 (1) Contact pulse output signal to synchronize GOP with APS and MCS.



⚠ Safety precautions	To install, make connections and operate this product, please carefully read and observe instructions, precautions and recommendations in our instruction manuals.
-----------------------------	--

The colours in this brochure may differ from those of the actual unit. Designs and specifications of this product is subject to change without prior notice.

NEC Corporation
Americas and EMEA Sales Division
Greater China and Asia Pacific Sales Division
Broadcast and Video Systems
7-1, Shiba 5-chome, Minato-ku, Tokyo,
108-8001, Japan
Tel: +81-3-3798-5463
Fax: +81-3-3798-8476

NEC Europe Ltd.
Network Solutions Division
NEC House, 1 Victoria Road, London
W3 6BL, United Kingdom
Tel: +44-(0)20-8993-8111
Fax: +44-(0)20-8752-3735

NEC Asia Pacific Pte. Ltd.
No.1 Maritime Square
#12-10 HarbourFront Center
Singapore 099253
Tel: +65-6278-1818
Fax: +65-6271-2088

NEC Latin America S.A.
Av. Paulista, 2.300
01310-300 Sao Paulo, SP
Tel: +55-(0)11-3151-7000
Fax: +55-(0)11-3151-7218