

# XF-700 Series

## Board Type Codec & Multiplexer

The XF-700 series is a frame for board type Codec and Multiplexer developed based on the basic concepts of smaller size, higher performance and lower price, and enables you to construct a flexible and high efficient digital broadcast system. Different board types can be mixed and mounted on the XF-730(3RU) and XF-712(1RU) frames.



**XF-730**  
Codec&Multiplexer Frame



**XF-712**  
Codec&Multiplexer Frame

## Features

### Flexible digital broadcast system can be constructed

- The 3RU rack mounting type frame provides you with seven slots for General-purpose ; for example ENC/DEC card. Another three slots for excluding MUX, SYNC and CPU slots. Installing various XF-700 series boards used for their unique application enables you to construct a flexible digital broadcast system.
- The 1RU rack mounting type frame is compact in design with three slots equipped, excluding a CPU slot.

### Power supply in a redundant system

- Power supply can be configured as a optimum redundant system.

### Hot-swappable plug-in design

- Each board and power supply can be replaced with the power on for better maintainability.

### Monitoring/setting control

- Supports SNMP to monitor each board status.
- The setting can be done by computer via Ethernet.

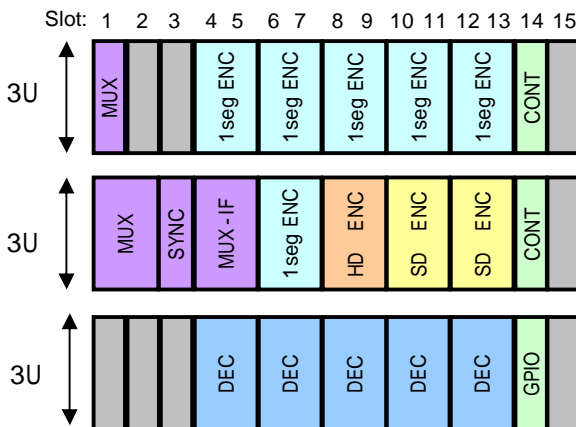
# XF-700 Series Codec&Multiplexer Frame

## Board Lineup

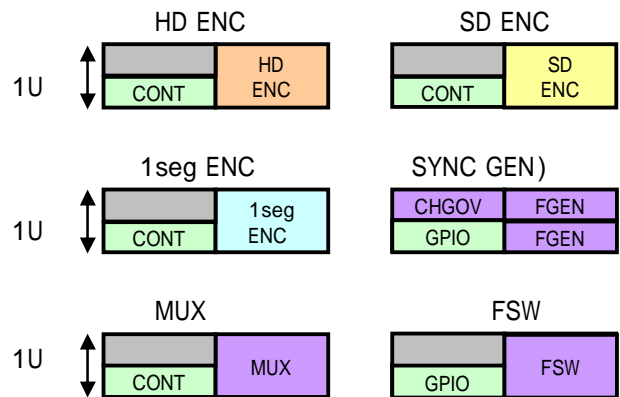
Model Name	Product Name	Number of Input	Number of Output
XE-5330	MPEG-2 Encoder Board	SDI (1) , BB (1) , Ethernet(2)	TS-OUT (3) ,ALARM (1)
XE-7330	H.264 High Profile Encoder Board	SDI (1) , BB (1) , Ethernet(2)	TS-OUT (3) ,ALARM (1)
XE-7030	H.264 One Segment Broadcast Encoder Board	SDI (1) , BB (1) , Ethernet(1)	TS-OUT (3) ,ALARM (1)
XD-7370	H.264/MPEG-2 Monitoring Decoder Board	TS-IN (1) , BB (1) , Ethernet(1)	SDI-OUT (2) ,ALARM (1)
XM-1630	ISDB-T Transmit Multiplexing Board	TS-IN (4 to 6), CLK (1), 1PPS(1) , STC (1)	TS-OUT (3)
XF7-SY30-R	Sync Signal Distribution Board	CLK (1) , 1PPS (1),STC(1)	
XF7-GP30-R	General-purpose Input/Output Board	Input (20)	Output (20), Output (40)
XF7-CT30	CPU (XCONT) Board	BB-IN (1) , Ethernet(1)	ALARM (1)

## Composition example

### XF-730



### XF-712



## XF-730/XF-712 Codec&Multiplexer Frame

	XF-730 Codec&Multiplexer Frame	XF-712 Codec&Multiplexer Frame
	Rack Mounting Type (3RU, F1 7slot, F2 3slot) *1	Rack Mounting Type (1RU, 3slot) *2
External dimensions	480(W) x 132(H) x 500(D) mm	480(W) x 44(H) x 500(D) mm
Weight	9 kg (frame only)	5 kg (frame only)
Power supply	85 to 264 V AC (single phase) *3	85 to 264 V AC (single phase) *3
Power consumption	350 VA (for max. load) *4	130 VA (for max. load) *4
Operation temperature	0 °C to 40 °C	0 °C to 40 °C

- \*1 The number of installable boards is that of maximum installable boards for the XF-730 frame, excluding MUX, SYNC and CPU boards as well as excluding a PS unit.
- \*2 The number of installable boards is that of maximum installable boards for the XF-712 frame, excluding a CPU board and a PS unit.
- \*3 For the dual-redundant power supply configuration, you should optionally add another power supply.
- \*4 The value of power consumption is that for maximum load. The power consumption varies depending on the types and number of boards installed in the frame.

### Warning about Safety

Before installing, connecting and operating this product, please read carefully and attentively items regarding warning, caution, mandatory and prohibitive actions and always comply with them.

The actual color of the product may differ from the color of the product in this catalog. The shape and specifications of the product is subject to change without notice for improvement.

**NEC Corporation**  
Americas and EMEA Sales Division  
Greater China and Asia Pacific Sales Division  
Broadcast and Video Systems  
7-1, Shiba 5-chome, Minato-ku, Tokyo,  
108-8001, Japan  
Tel: +81-3-3798-5463  
Fax: +81-3-3798-8476

**NEC Europe Ltd.**  
Network Solutions Division  
NEC House, 1 Victoria Road, London  
W3 6BL, United Kingdom  
Tel: +44-(0)20-8993-8111  
Fax: +44-(0)20-8752-3735

**NEC Asia Pacific Pte. Ltd.**  
No.1 Maritime Square  
#12-10 HarbourFront Center  
Singapore 099253  
Tel: +65-6278-1818  
Fax: +65-6271-2088

**NEC Latin America S.A.**  
Av. Paulista, 2.300  
01310-300 Sao Paulo, SP  
Tel: +55-(0)11-3151-7000  
Fax: +55-(0)11-3151-7218

ISO 9000 Series  
  
CERTIFIED MANAGEMENT SYSTEM  
QUALITY SYSTEM  
ISO 9001 JMI-0119  
NEC Broadcast and Video

ISO 14001  
  
CERTIFIED ENVIRONMENTAL SYSTEM  
ENVIRONMENTAL SYSTEM  
JQA-E-90066  
NEC

C ar. No. H01-12050005E